

Introducing Full HD for the most realistic video communications experience ever



Experience Superior Communication

Experience the world's first, Full HD video communications system. One look and you can see for yourself that the LifeSize® difference is the LifeSize experience - superior video experiences across cities, countries and continents.

With the LifeSize Room 200 solution, you get every bit of quality available today, with Full High Definition, standards-based 1080p30 for the highest available resolution and 720p60 for the best motion handling with half the latency. Plus, an embedded 6-way Continuous Presence multipoint control unit (MCU), complete with transcoding and all digital I/O in a compact, sleek unit that's less than half the size of comparable solutions.

Flexibility is enhanced, since our exemplary attention to the human interface ensures that the LifeSize Room 200 system is easy to use. And because we're committed to open architecture, proven LifeSize interoperability provides full integration into your existing communications infrastructure.

You also get unprecedented bandwidth/performance:

- 768kbps for 720p30
- 1.1Mbps for 720p60
- 1.7Mbps for 1080p30

In today's world, better than being there.

In addition to technology, service and support, LifeSize offers the most interactive, face-to-face video communications experience you can get. In fact, the LifeSize Room 200's exceptional quality and user simplicity now make remote communications a more productive, true-to-life experience. And like all LifeSize products, LifeSize Room 200 delivers superior quality of experience, unique flexibility and unmatched price performance.

LifeSize Room 200 Key Features

Video Quality

Full High Definition Standards-based
1920x1080 - 30fps
1280x720 - 60fps

HD Monitors



HD Cameras Pan-Tilt-Zoom (PTZ)



HD Audio



External Audio, Video & Data Input/Output

Audio: 4 in, 2 out
Video: 7 in, 4 out
Data: 2 in, 2 out

Point-to-Point HD Video Communications



Embedded Continuous Presence (CP) HD Multipoint



Embedded Voice Activated Switching (VAS) HD Multipoint



Product Specifications - LifeSize® Room 200™

System Components

LifeSize codec with stand
High Definition PTZ LifeSize Camera 200
LifeSize Phone
New wireless remote control
Power Supply
Cables

Communications

128Kbps – 6.0Mbps (point-point)
128Kbps – 2.0Mbps (multipoint, per call)
H.323, SIP
1xRJ-45 Network LAN (10/100 Mbps)
1xRJ-45 for LifeSize Phone (PoE supported)
1xRJ-45 for LifeSize Networker (PoE supported)
1xRJ-11 for analog telephone line
1x3.5mm Mic In for LifeSize MicPod

Support for Multiple HD Displays

Support for Multiple HD Displays
Support for single or dual monitor HD displays
Any display supporting HDMI or DVI-I input up to
1080p30, 1080i60 and 720p60
For additional information on displays, visit:
www.lifesize.com/support

High Definition 1080p30/720p60 PTZ Camera

LifeSize-designed high definition 1080p30/720p60
pan/tilt/zoom camera (patent pending)
Maximum Resolution: 1920x1080, 30fps
Supported Resolution: 1280x720, 60fps
Support for multiple high definition cameras including
standard LifeSize Camera via firewire
Support for two active camera sources at 720p30
Wide-angle zoom lens with 70 degree field of view
4.2x Optical Zoom / 4x Digital Zoom
Auto focus
Automatic gain control
10 camera presets (near or far end)
Standard 3.0 M HDMI cable
Support for Sony EVI-HD1 HD camera (optional)

Video Specifications/Video Resolutions

Maximum resolutions widescreen 16:9 aspect ratio
All resolutions progressive scanning
All resolutions at 30 frames per second except 60
frames per second where noted
128Kbps (400x244pixels) Widescreen FCIF
384Kbps (768x432pixels) Cable TV
512Kbps (848x480pixels) DVD Resolution
768Kbps (1280x720pixels) High Definition
1.1 Mbps (1280x720pixels @ p60) High Definition
1.7 Mbps or higher (1920x1080pixels) High Definition
Actual resolution depends on capability of remote end
and is impacted by the quality of the communication
channel

Video Standards

H.261, H.263, H.263+, H.264, and H.239 compliant
Support for multiple dual live streaming modes:
720p60 pixels and 720p5
720p30 pixels and 720p30

Video Formats

16:9 High Definition aspect ratio

Video Inputs (7 Inputs)

1 x High Definition Camera (720p30)
2 x HD Video In (1080p30/720p60)
1 x DVI-I In (VGA enabled)
1 x Component In or 1 x Composite In
1 x S-Video In (VGA enabled)

Video Outputs (2 Outputs)

1 x HD Video Out (1080p30/720p60)
1 x DVI-I Video Out (1080p30/720p60)

Fully Integrated, High Definition Audio Conference Phone

LifeSize-designed full featured conference
phone doubles as the microphone for video
system
16 microphones in a patent-pending Circular
Array with beam forming for clear audio
pickup
100Hz up to 16kHz
H.323/SIP support
Stand alone phone option using VoIP
No subwoofer or additional microphone pods
required
Powered by codec directly through cable

Audio Features

High Definition Audio
GIPS NetEQ packet loss concealment
Full duplex for natural conversations
Echo cancellation for echo-free calls
Automatic gain control
Automatic noise reduction
MicPod or Dual MicPod support (optional)

Audio Standards

G.711, G.722, G.722.1C (Polycom® Siren 14™), MPEG4-
AAC-LC

Audio Inputs (4 Inputs)

1 x RJ-45 (LifeSize Phone)
2 x Stereo Line In (3.5mm)
1 x Mic In – Two Channel (3.5mm)

Audio Outputs (2 Outputs)

1 x RJ-45 (LifeSize Phone)
1 x Stereo Line Output (3.5mm)

User Interface & Features

High Definition, context sensitive user interface
Wireless I/R remote
Graphical User Interface Call Manager
14 Localized languages supported
Customizable background screens
Selectable camera icons & live preview
Do Not Disturb (DND)

Security

Flash-based Web management tool
Admin and User level password
SNMP security alerts
Ability to disable HTTP, SSH and Telnet services
H.235 encryption support including strict compliance
Kensington Lock

Intelligent Networking Features

NAT/Firewall Traversal (H.460/SIP)
IP v4 and IPv6 support
Auto H.323 dialing
When used with LifeSize Networker:
H.320 dialing
Auto SPID detect/downspeeding
Auto Number Configuration

Directory and Address Book

Up to 1000 local directory entries
Save, Lock, Remove Redial List features
Auto-Discovery directory lookup
LDAP support / H.350 compliant
Meetings Directory support
Hierarchical address book

System Management

Out of box setup via web interface and management
SNMP
1 x DB-9 RS-232 port configurable as control
1 x USB (for future use)
Backup and Restore capability

Embedded HD Multipoint Control Unit

6-way HD CP multipoint conference with up to 4 visible
participants
Non-visible participants switched into visible
participant quadrant when dominant speaker
Support for Dominant Speaker icon to highlight active
speaker
6-way HD VAS multipoint conference
Transcoding support
Virtual Multiway allows participant viewing control
(patent pending)
H.239 multipoint support shared from any participant
Disable multipoint option
Seamless add/drop participants
Integrated management with LifeSize Control
management software

Power

AC Voltage 100-240V, 50-60 Hz, 2.5A via external power
supply

Environmental Data

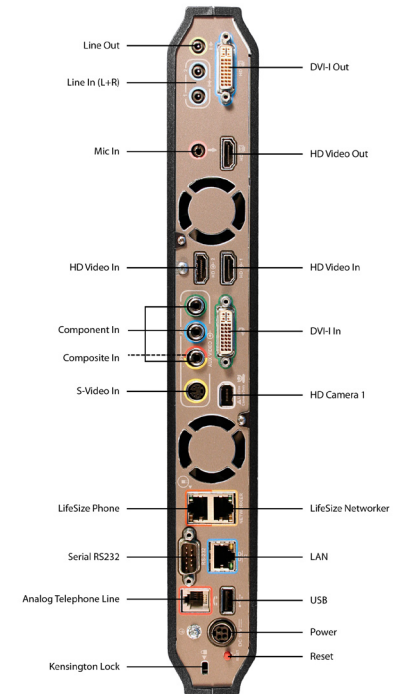
Operating temperature:
0°C (32°F) to 40°C (104°F)
Operating Humidity:
15% to 85%, non-condensing
Storage temperature:
-20°C (-4°F) to 60°C (140°F)

Regulatory Model Number

Model: LifeSize Room 200 = LFZ-015

For additional information: www.lifesize.com/support

Information contained in this document is subject to change
without notice. LifeSize® is the registered trademark or trade-
mark of LifeSize Communications Inc. All other trademarks are
the property of their respective owners. For patents covering
LifeSize® products refer to [http://www.lifesize.com/support/
legal](http://www.lifesize.com/support/legal). © Copyright 2008. All rights reserved. October 2008.



Corporate Headquarters:
901 S. Mopac Expressway
Building 3, Suite 300
Austin, Texas 78746 USA

Phone: +1 512 347 9300
Fax: +1 512 347 9301
Email: info@lifesize.com
www.lifesize.com

EMEA:
LifeSize Communications
Toll-Free Europe
008000 999 09 799

APAC:
LifeSize Communications
Hong Kong
Phone: +852 8239 3695