



Polycom® HDX 8000™ Series

Flexible high definition video, voice, and content communication

Benefits

High definition video — 1280 x 720 at 30fps (720p) when calling at data rates over 1Mbps. Excellent resolution can be achieved at even lower data rates

High definition voice — Incredible audio quality with Polycom's Siren™ 22, which provides true high-fidelity stereo sound

High definition content — Share multimedia content from video to slide presentations with clarity and ease, in crisp high definition

Room-filling, powerful audio — Polycom's StereoSurround along with Siren 22 offers the best audio performance in today's marketplace

Embedded multipoint — An optional 4-way embedded multipoint bridge allows for greater flexibility for larger conferences

Content sharing versatility — Share content using the standards based H.239, Polycom's People+Content™, and the optional People On Content which allows participants to become part of their presentations

Flexible connectivity — Optional network interfaces allow for easy access to your BRI, PRI or V.35 network

Polycom UltimateHD™ solution — The HDX 8000 combines seamlessly with other Polycom UltimateHD solutions, including the Polycom RMX 2000™ platform for video bridging, Polycom RSS™ 2000 server for recording and streaming, Polycom Video Media Center™ 1000 solution for content management and multi-casting, and the Polycom ReadManager® SE200 application for management and administration

For organizations migrating to High Definition (HD) video and audio communication, the Polycom HDX 8000 Series provides a flexible and robust solution ideally suited for applications such as distance education, remote medical diagnosis, on demand project collaboration, and more.



Precisely Engineered for Superior Clarity

The clarity of Polycom HDX 8000 systems enable users to interact over video freely and naturally, and with the HDX 8000 system's embedded multipoint and content sharing capabilities, remote team members can quickly and easily be brought together collaborate on projects visually.

Designed to High Definition (HD) standards, the HDX 8000 solution utilizes Polycom HD Voice™ technology to convey voices and sounds free from distortion, and Polycom StereoSurround™ audio technology to separate room sounds into left and right channels, giving an immediate sense of the physical location of opposite-end participants.

Rich Media Presentations Made Easy

For media-rich group presentations, the HDX 8000 system enables users to easily display rich media content and data to enhance collaboration and audience participation. And utilizing the HDX 8000 system in tandem with Polycom's unique People On Content™ collaboration technology, presenters can insert their video image into the projected content to explain key elements more clearly.

Make Great Things Happen With the Polycom HDX 8000 Series

In today's Internet driven world, the ability to conduct real time communication and collaboration has become critical to an organization's survival. As the market leader in voice, video, data and Web solutions, our award-winning conference technology makes it easy for people to interact and maximize productivity — over any network, in just about any environment, anywhere around the globe. That's why more organizations worldwide use and prefer Polycom conferencing solutions. Because when people work together, great things happen. See how you too, can achieve great things with the Polycom HDX 8000 series.



VideoVoiceDataWeb

Polycom HDX 8000 Specifications

Models

- HDX 8002™ and HDX 8004™ (includes EagleEye camera, codec microphone array, cables and remote control)
- XL Package - includes content sharing
- XLP Package - includes content sharing and internal 4-way MP (HDX 8004 only)

Video Standards & Protocols

- H.264
- H.263++
- H.261
- H.239 / People+Content
- H.263 and H.264 Video Error Concealment

People Video Resolution

- 720p, 30fps at 1Mbps–4Mbps
- 4SIF (704 x 480)/4CIF (704 x 576) at 256Kbps–768Kbps
- SIF (352 x 240), CIF (352 x 288)
- QSIF (176 x 120), QCIF (176 x 144)

Content Video Resolution

- Up to 720p
- Input: SXGA (1280x1024), XGA (1024 x 768), SVGA (800 x 600), VGA (640 x 480)
- Output: XGA (1024x768), SVGA (800x600)

Camera

- Polycom EagleEye Camera
 - 1280 x 720p CCD imager
 - 12X optical zoom
 - 72deg FOV at min zoom
 - + 100 deg pan range
 - +20/-30 deg tilt range
- Output formats:
 - SMPTE 296M 1280 x 720p, 50/60 FPS

Audio Standards & Protocols

- Polycom StereoSurround
- 22kHz bandwidth with Polycom Siren 22
- 14kHz bandwidth with Polycom Siren 14, G.722.1 Annex C
- 7 kHz bandwidth with G.722, G.722.1
- 3.4 kHz bandwidth with G.711, G.728, G.729A
- Automatic Gain Control
- Automatic Noise Suppression
- Instant Adaptation Echo Cancellation
- Audio Error Concealment

Other ITU-Supported Standards

- H.221 communications
- H.224/H.281 far-end camera control
- H.323 Annex Q far-end camera control
- H.225, H.245, H.241, H.331
- H.239 dual stream
- H.231 in multipoint calls
- H.243 chair control
- H.460 NAT/firewall traversal
- BONDING, Mode 1

Network

- Interface
 - 2-port 10/100 auto NIC switch, RJ45 connectors
 - RJ11 analog phone connector
- H.323 up to 4Mbps
- SIP up to 4Mbps
- H.320 (Optional)
 - ISDN Quad BRI
 - ISDN PRI T1 or E1
 - Serial (RS449, V.35, RS 530) up to 2Mbps
- iPriority™ for QoS
- Reconfigurable MTU size
- Auto SPID detection and line number configuration
- Lost Packet Recovery (LPR) for QoS

User Interface

- COD (Polycom PathNavigator™ Conference on Demand)
- Directory Services
- System Management
 - ReadiManager SE200
 - Web-based
 - SNMP
 - Global Management Ssystem™
- CDR
- API support
- International languages (17)

Security

- Secure Web
- Secure Telnet
- Security Mode
- Embedded AES FIPS 197, H.235V3 and H.233/234
- Secure password authentication

Options

- Content Sharing
 - People+Content, People+Content IP, People On Content
 - MPPPlus software for up to 4 sites
- Network Interfaces Modules
- 4 Mbps line rate (HDX 8002 only)
- Additional video inputs and outputs (HDX 8002 only)

Electrical

- Auto sensing power supply
- Typical operating voltage/power 189VA @ 115V @ 60 Hz @ .67 PF
- Typical operating voltage/power 192VA @ 230V @ 60 Hz @ .66 PF
- Typical operating voltage/power 196VA @ 230V @ 50 Hz @ .65 PF

These numbers were empirically collected under TYPICAL operating conditions. No attempt was made to force max power consumption. Voltages and currents are RMS. Power units are Volt-Amp.

Environmental Specification

- Operating Temperature: 0-40°C
- Operating Humidity: 10-80%
- Non-Operating Temperature: -40 o -70o C
- Non-Operating Humidity (Non-condensing): 10-90%
- Maximum altitude: 10,000 feet

Physical Characteristics

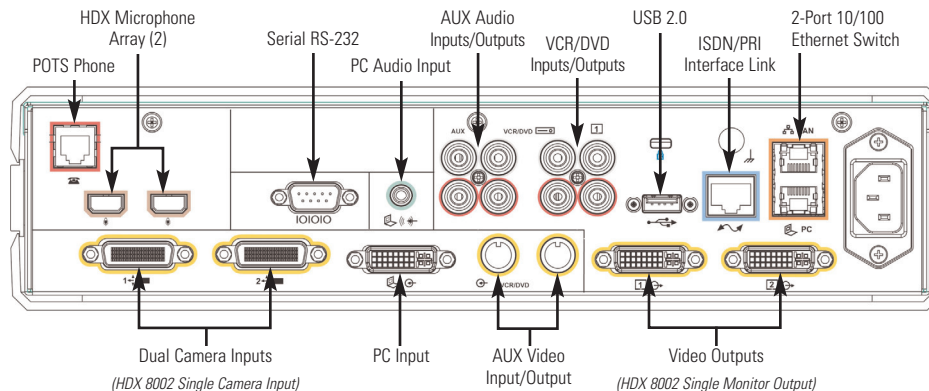
- HDX 8004 Base Box with removable stand
 - 13.87" (H) x 5.08" (W) x 11" (D)

Warranty

- One-year return to factory parts and labor
- 90-day software warranty

Technical Documentation

- Award-winning documentation for setting up, maintaining, and using the system
- Available at www.polycom.com/videodocumentation



©2007 Polycom, Inc. All rights reserved.

Polycom, the Polycom logo and ReadiManager are registered trademarks and HDX 8000, HDX 8002, HDX 8004, iPriority, People+Content, People On Content, Polycom HD Voice, Polycom PathNavigator, Polycom UltimateHD, RSS, Siren, StereoSurround, Global Management System and Video Media Center are trademarks of Polycom, Inc. in the U.S. and various countries. All other trademarks are the property of their respective owners. Information is subject to change without notice.



Polycom Headquarters:

4750 Willow Road, Pleasanton, CA 94588 (T) 1.800.POLYCOM (765.9266) for North America only.
For North America, Latin America and Caribbean (T) +1.925.924.6000, (F) +1.925.924.6100

Polycom EMEA:

270 Bath Road, Slough, Berkshire SL1 4DX, (T) +44 (0)1753 723000, (F) +44 (0)1753 723010

Polycom Asia Pacific:

8 Shenton Way, #11-01, Singapore 068811 (T) +65.6389.9200, (F) +65.6323.3022

Part No. 3726-17854-001 Rev. 10/07